

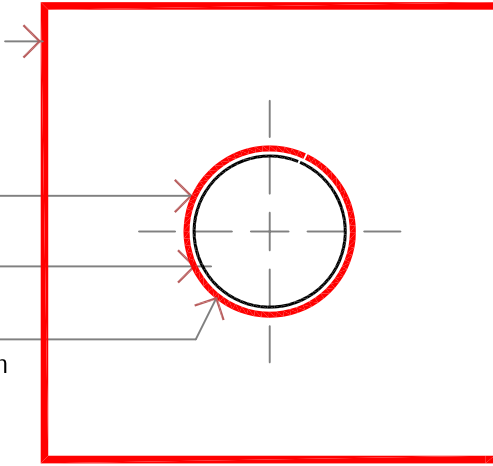
Kordon Kollar

place Kordon Kollar over pipe until Kollar flange sits on the plastic membrane

place first zip tie base of collar and tighten overlap each side

100mm dia pipe

place second zip tie 50mm approx higher then first zip tie



plan

pipe centre line

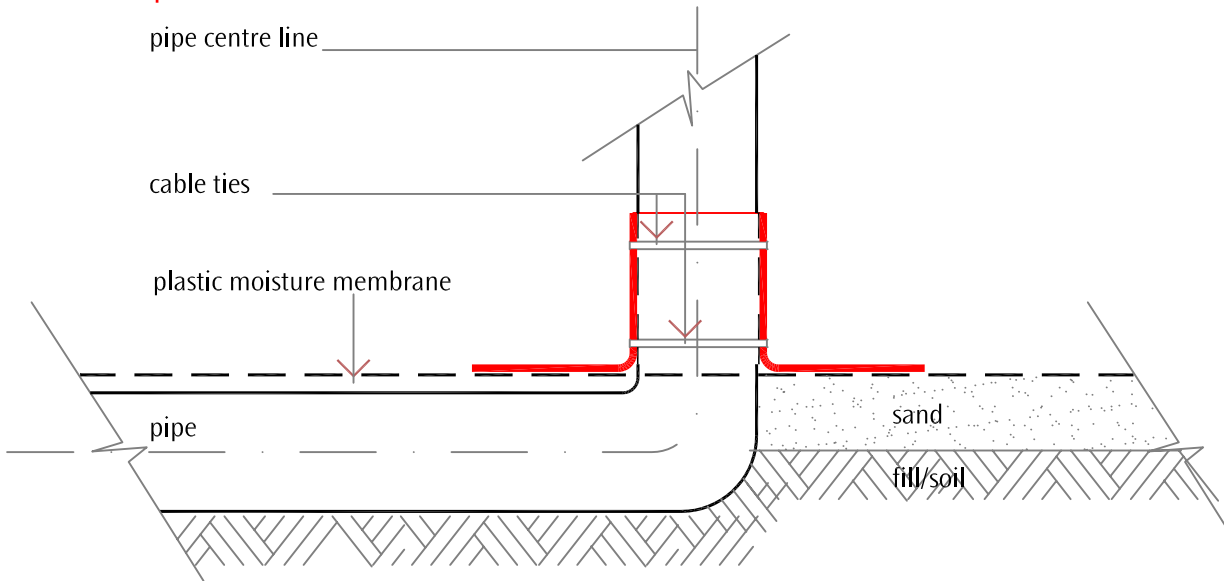
cable ties

plastic moisture membrane

pipe

sand

fill/soil



section before concrete pour

cable ties

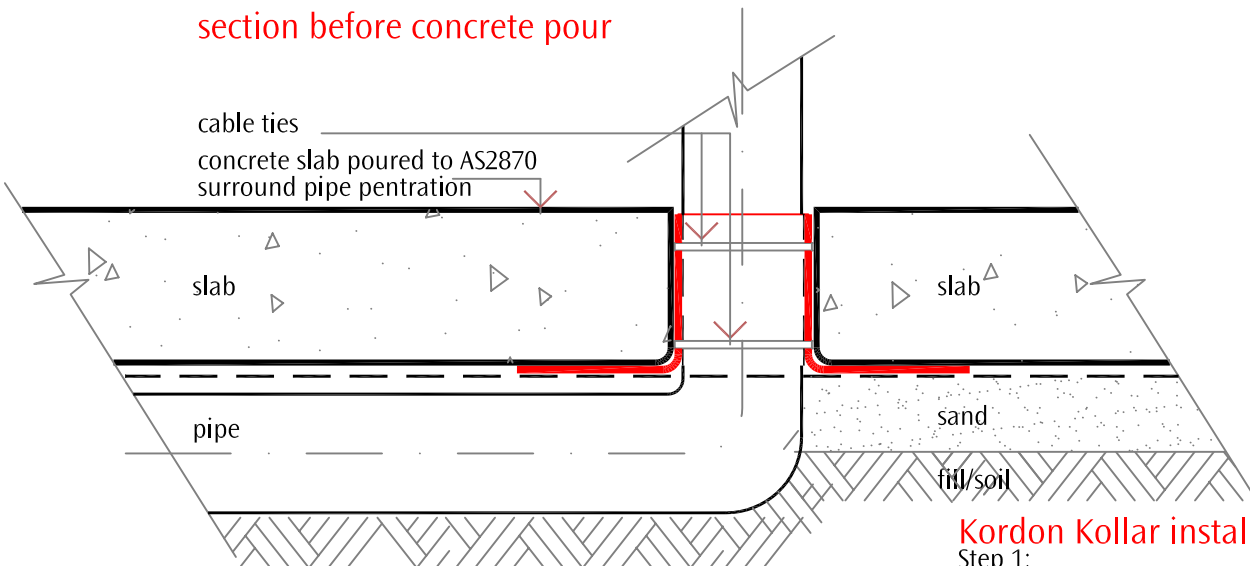
concrete slab poured to AS2870 surround pipe penetration

slab

pipe

sand

fill/soil



section after concrete pour

Kordon Kollar installation

Step 1:

place Kordon Kollar over pipe
slide down to the DPM plastic

Step 2:

secure first zip tie to base
of kollar, secure second zip tie
50mm higher then first

Step 3:

finish with a tape wrap at top

 **KORDON TERMITE BARRIER**

Subject

Sheet No.

Kordon Kollar & slab pipe penetration

kd 011